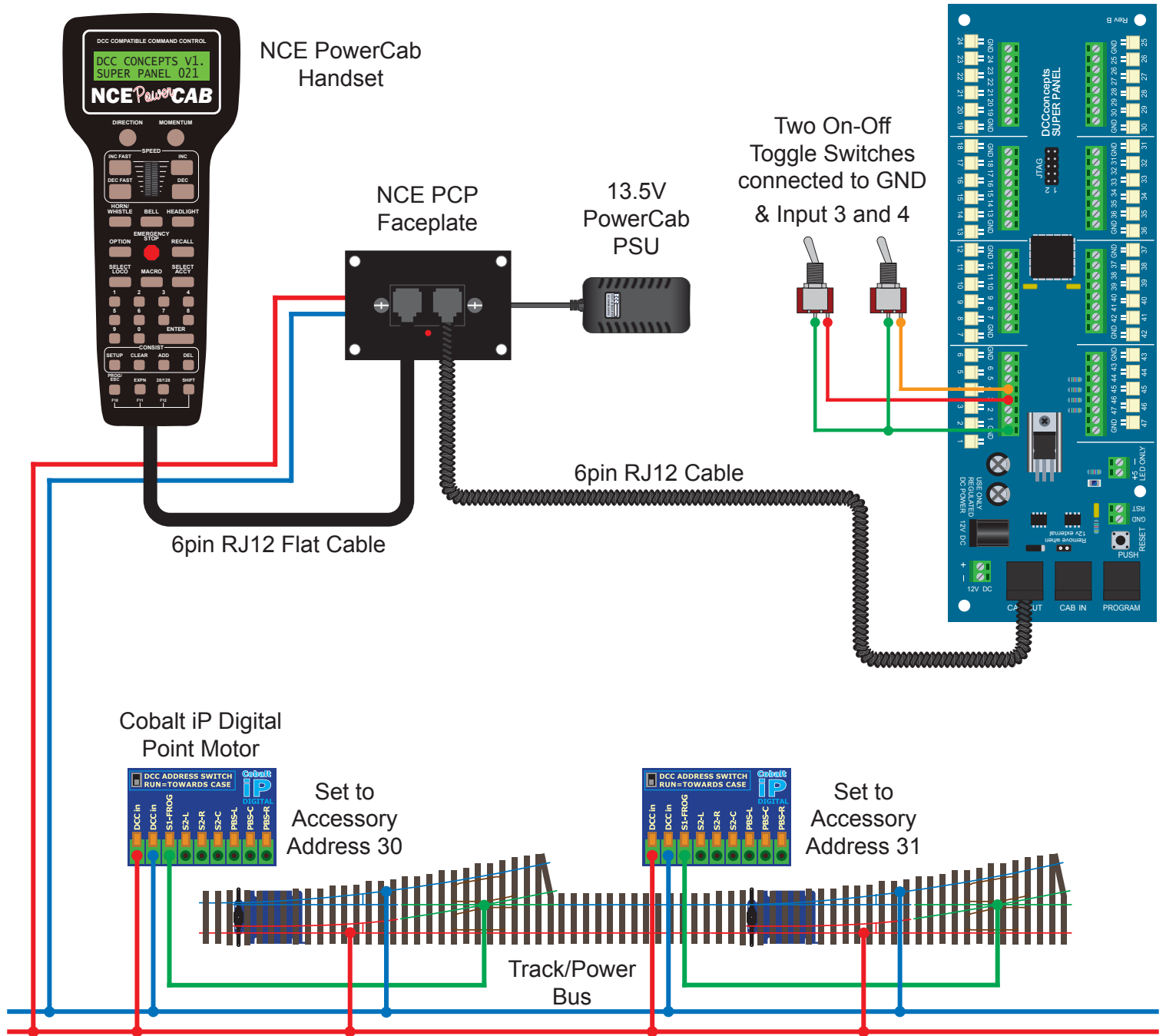




Super Panel Advice #7 - Controlling 2 Points With 2 Toggle Switches

Super Panel Advice #7



Please note - The DCCconcepts Super Panel needs an NCE system to program and operate.