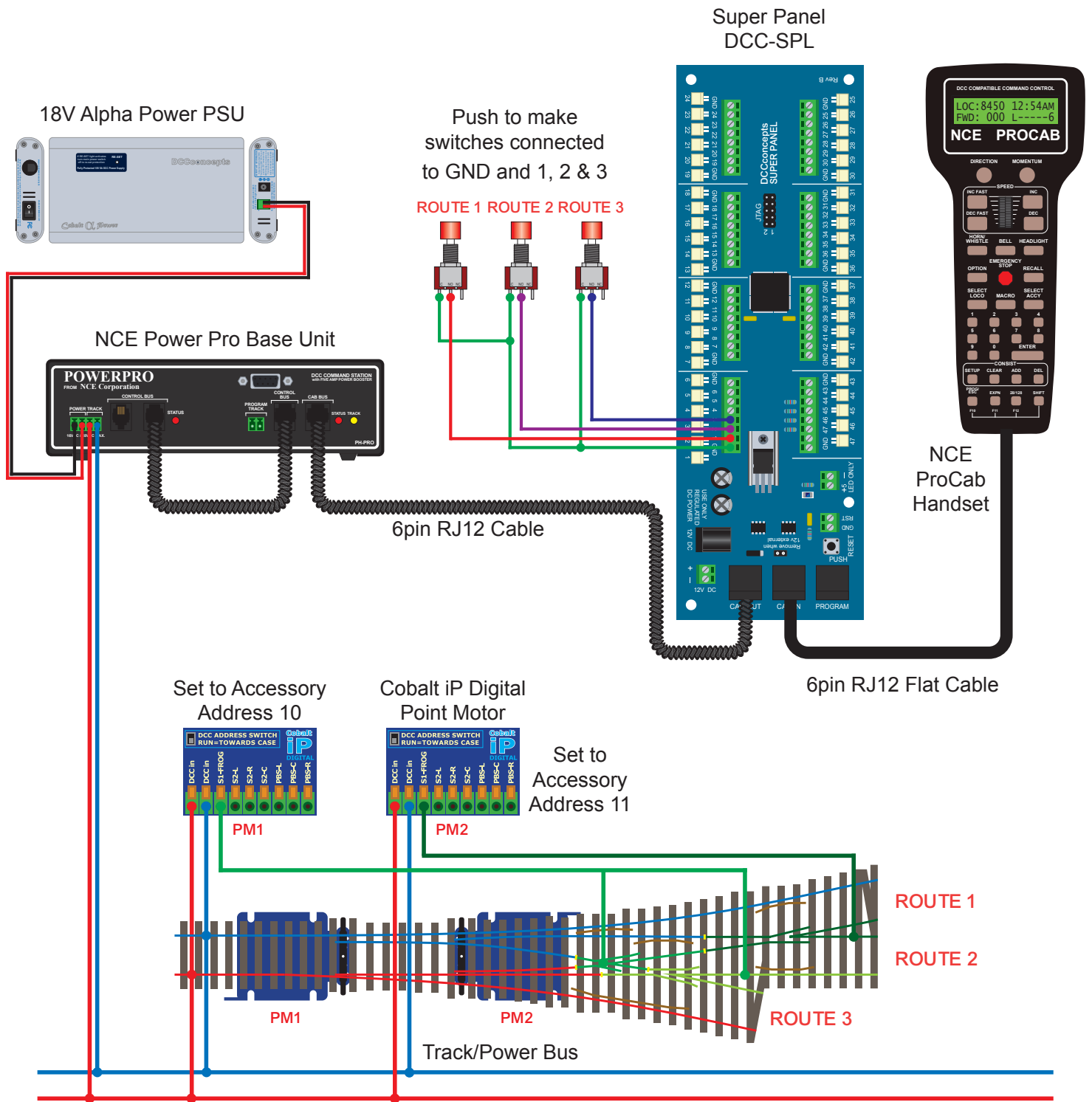




Super Panel Advice #3 - Control A 3 Way Point With 3 Push To Make Switches

Super Panel Advice #3



Please note - The DCCconcepts Super Panel needs an NCE system to program and operate.