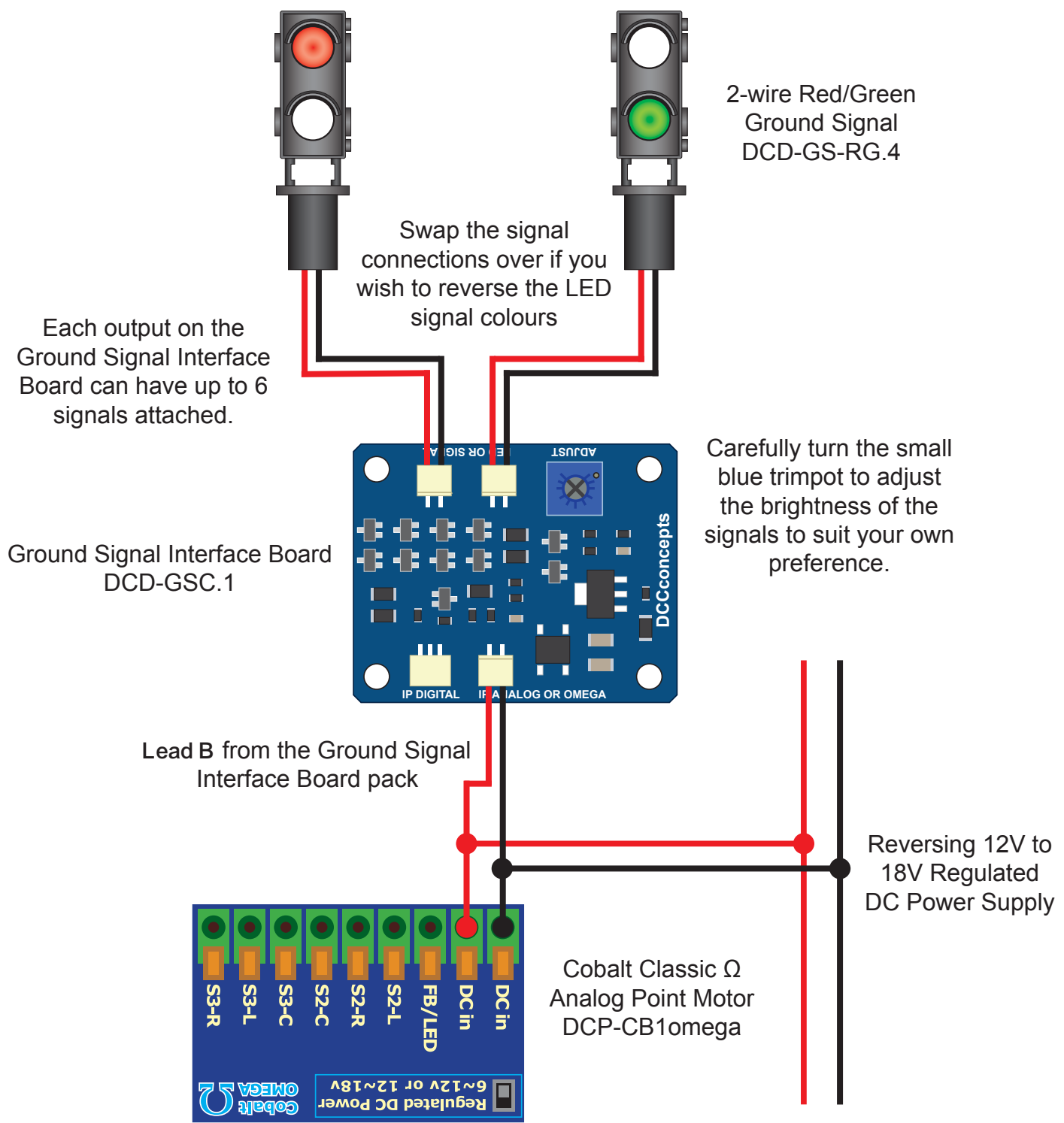


Ground Signal Interface Board With A Cobalt Classic Omega Analog Point Motor



NOTE - ONLY connect one point motor connection lead at any one time or you may damage the circuit board.