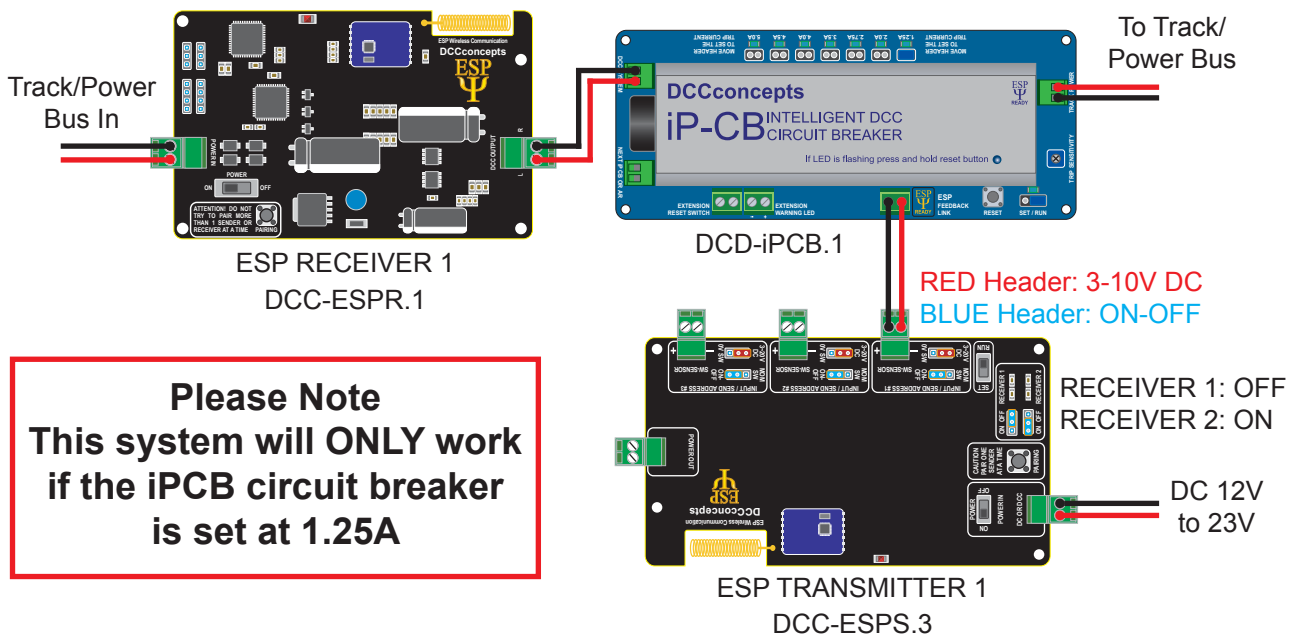
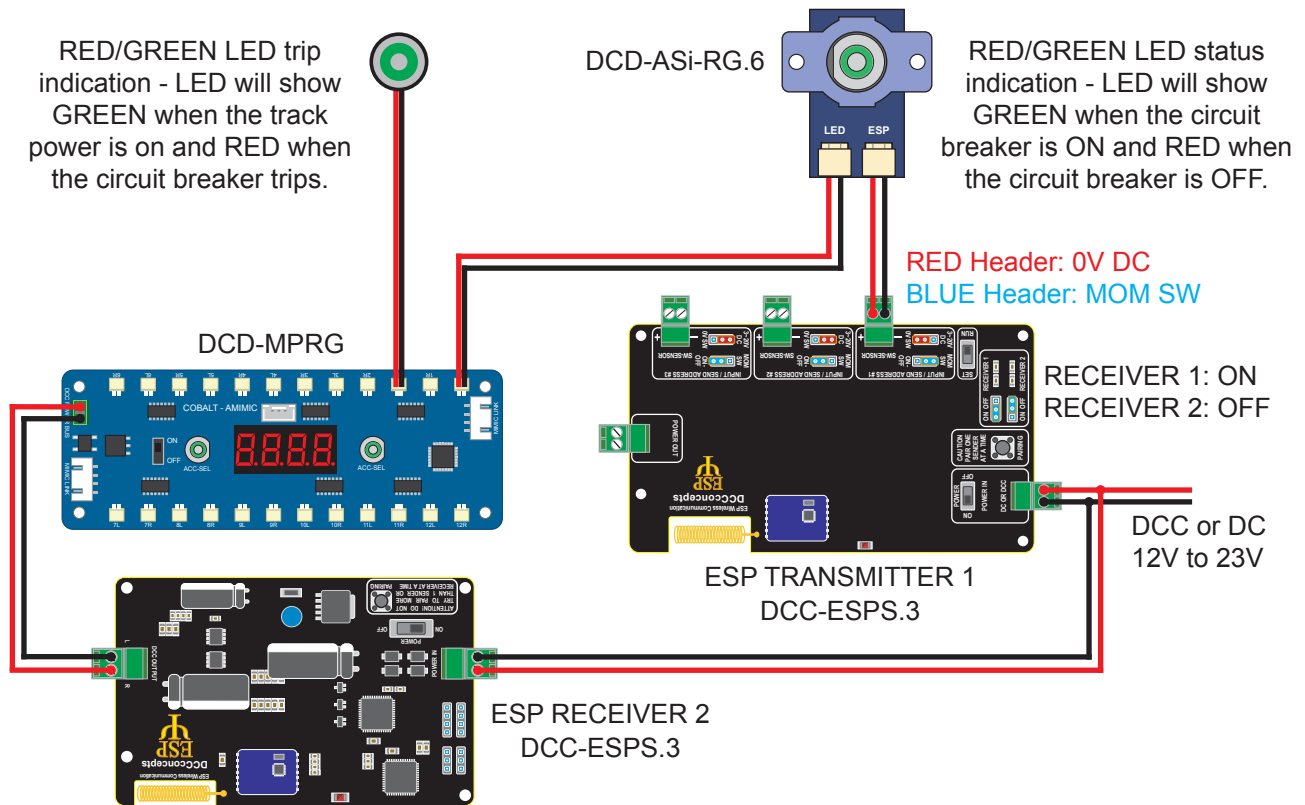




## Alpha Switch I On/Off Switch For Intelligent Circuit Breaker Using ESP



**Please Note**  
This system will **ONLY** work if the iPCB circuit breaker is set at 1.25A