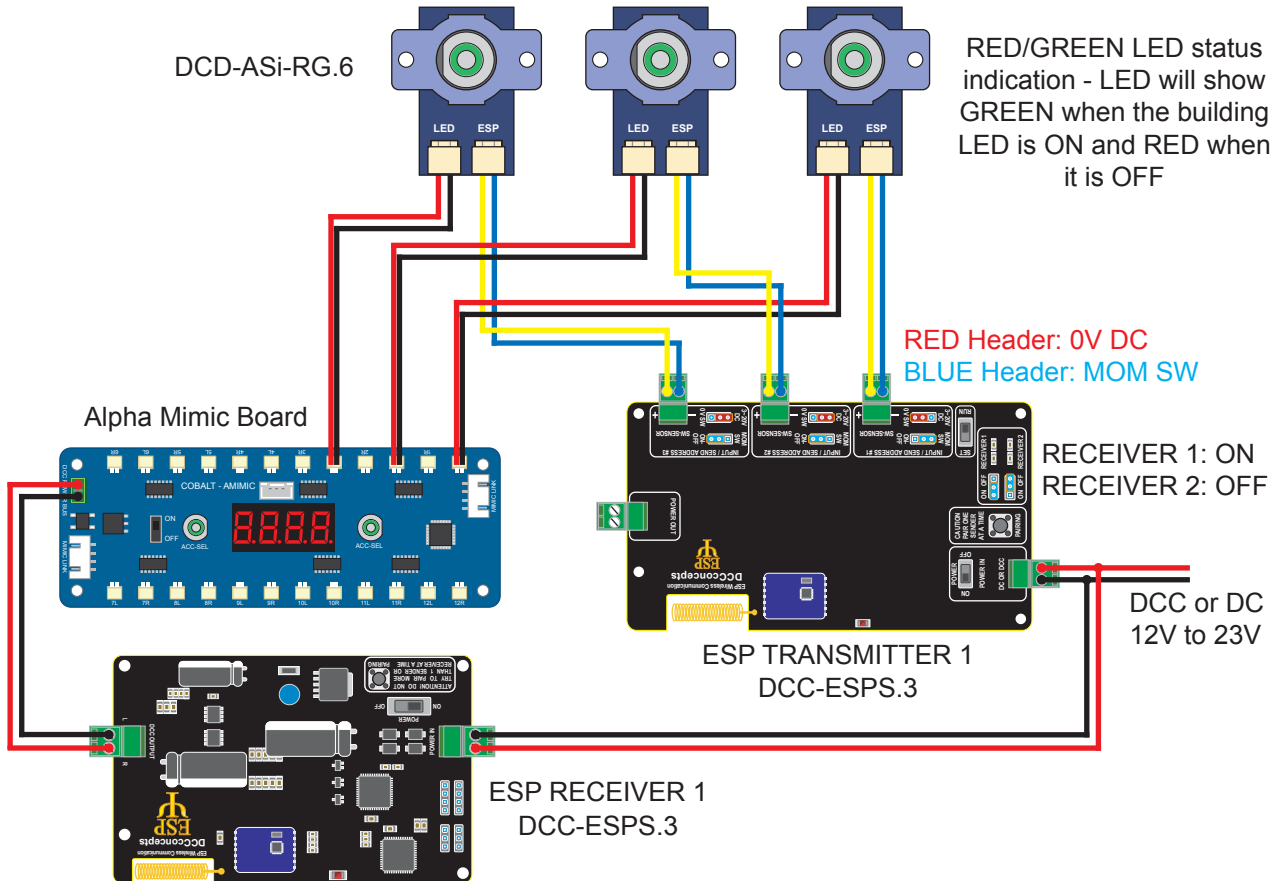




Alpha Switch I On/Off Switch For Alpha Mimic Building Lights Using ESP



If the LEDs are on when they should be off swap the connections in the L and R sockets

