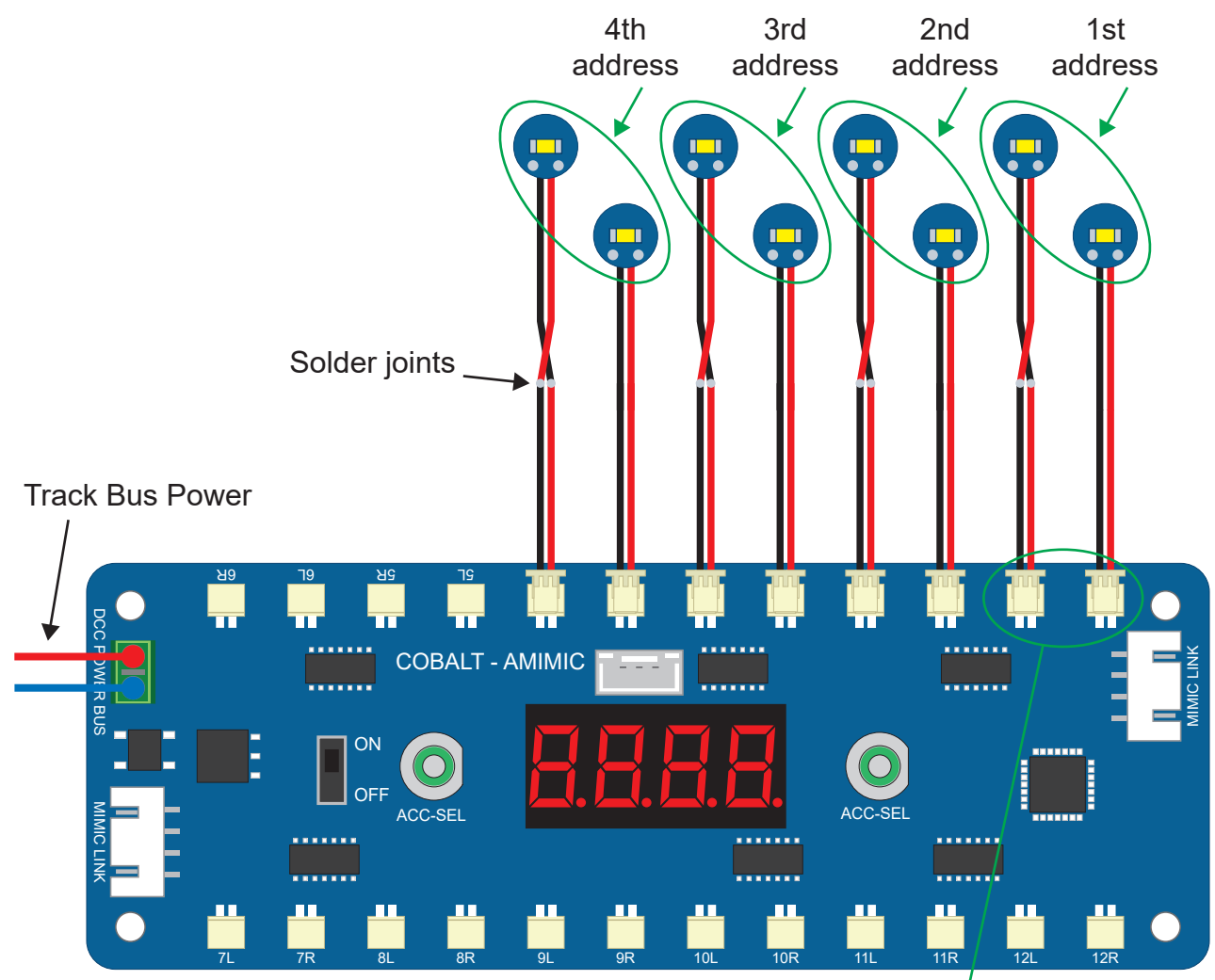


Alpha Mimic Plug & Play Controllable Building Lighting



If the LEDs are on when they should be off, swap the two connections in the L and R sockets