

LEGACY MODELS POWERPOINT DOWELS

The easy way to pass DCC track power between baseboards

@ 5 Amps +
Power Point
Dowels
easily handle
more power
than your DCC
system can
deliver!

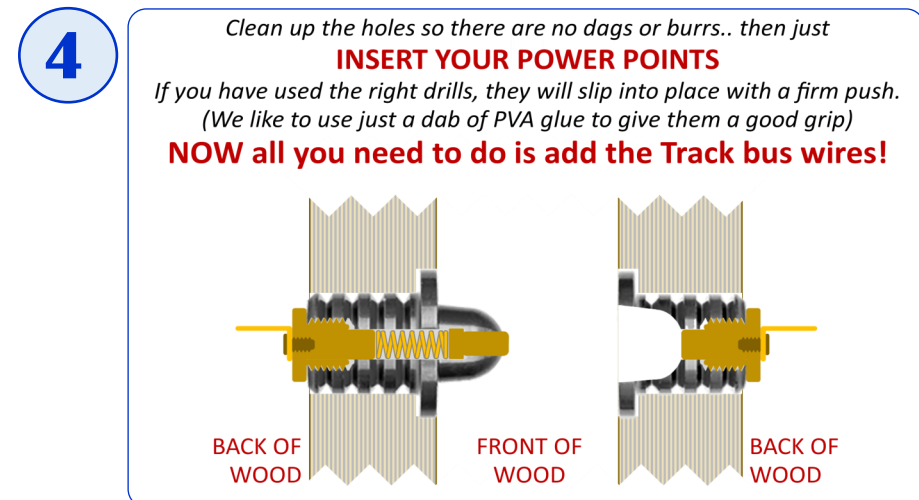
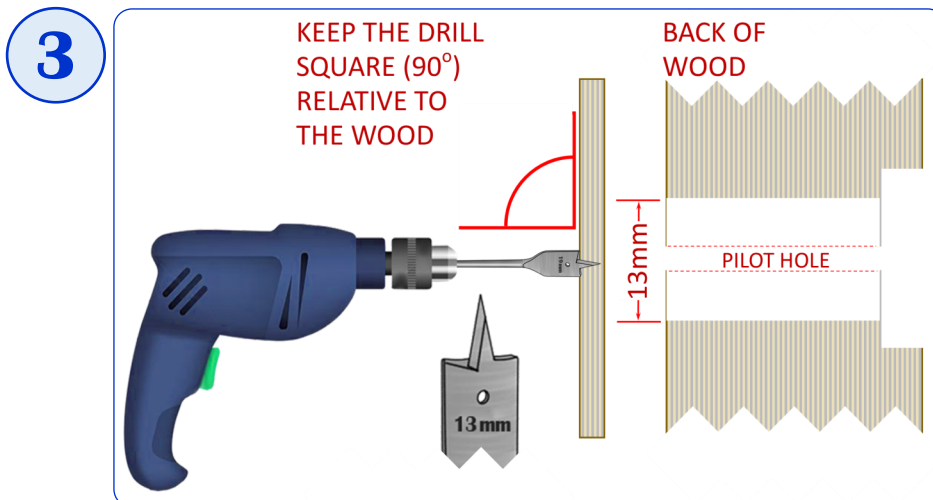
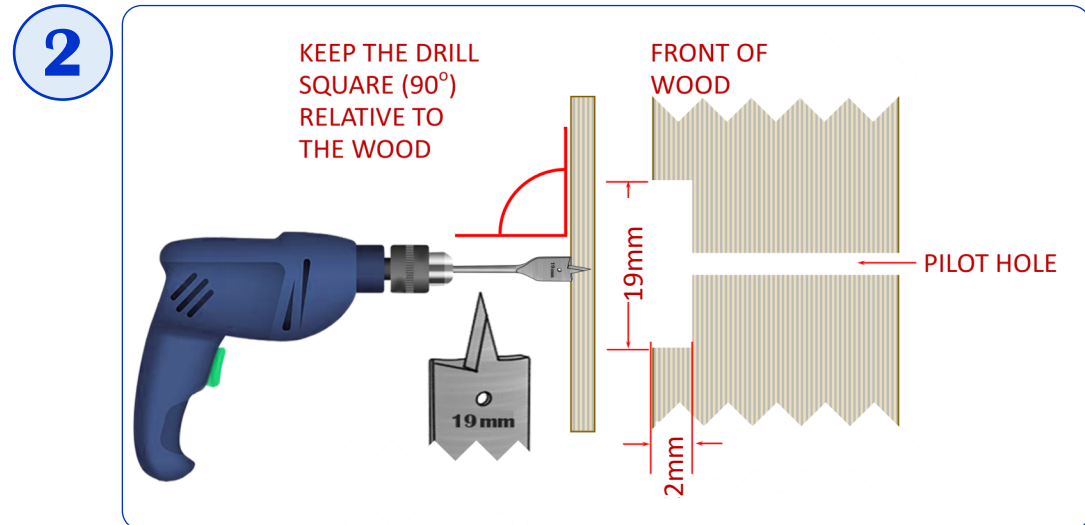
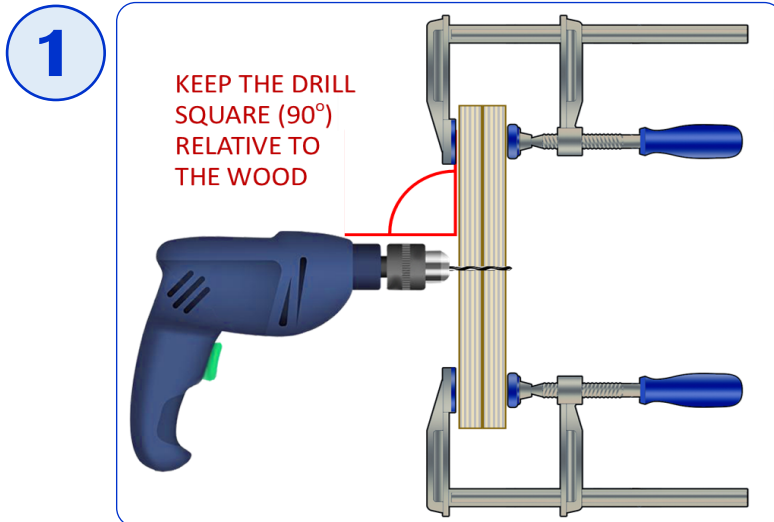
Work carefully and we are sure that you will obtain a great result when installing your new Legacy PowerPoint Dowels

- Clamp the baseboard ends together. Be sure the top surfaces are perfectly level and aligned. (You can temporarily screw an offcut of wood over the top of joint to ensure it is perfect)
- Mark the position for the dowels. Drill a pilot hole right through both ends using a 3mm drill. (keep it at 90 degrees to the board faces as this step will guide all subsequent drilling)
- Separate the two boards. Use a 19mm spade drill bit, and go just deep enough into the front face of each board end (2mm) to allow the flange of the dowel to sit flush with the baseboard ends.
- Now, using a 13mm spade drill bit and working from the other side, drill right through the board. You will now have a 13mm hole with a 19mm flange. Clean it up ready for the Dowel installation.
- Add a little PVA to the grooves in each dowel & insert it flush with the face of the board. If it's too tight Ream the hole with sandpaper. Do NOT tap them in as you may damage them
- To secure boards together after alignment, drill clearance holes for 1/4" bolts & wingnuts. They do not need to be tight as the dowels will do all the work of aligning the boards perfectly.



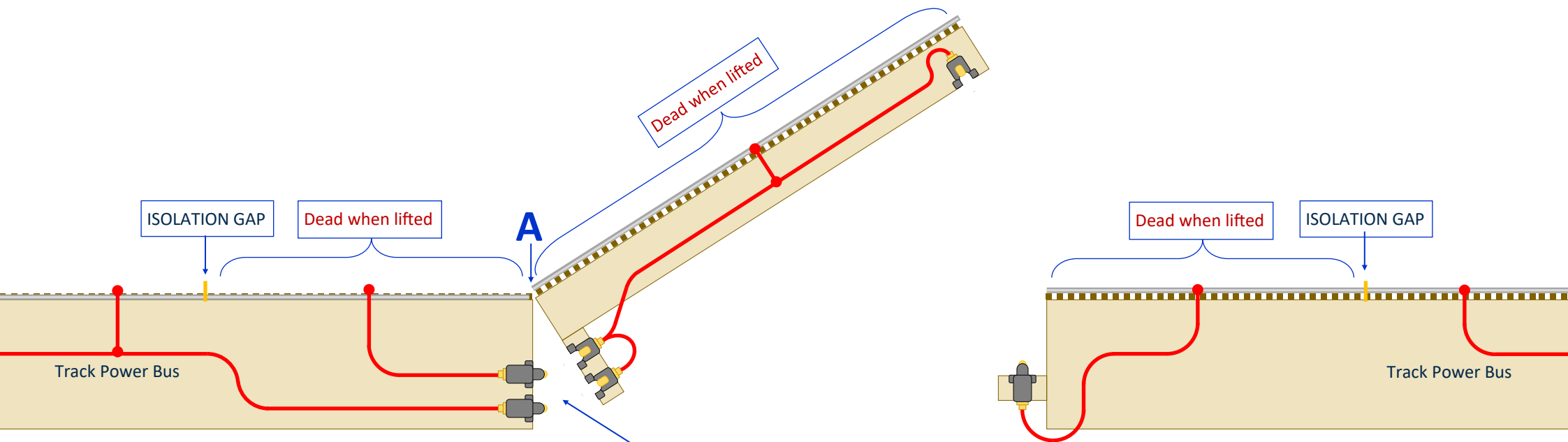
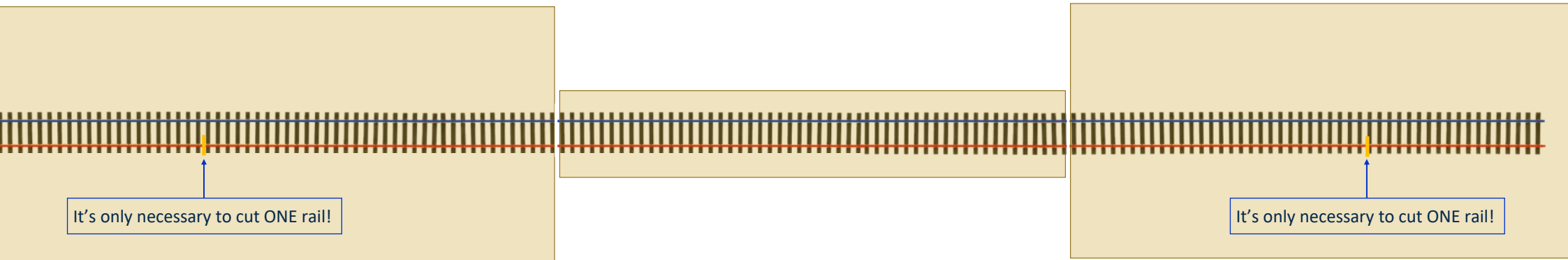
LM-PP.2 2pr. Power Points

LM-PP.4 4pr. Power Points



FIXING A COMMON PROBLEM WITH LEGACY MODELS POWERPOINT DOWELS

Interlocking a lift bridge and all approach tracks using only 3 PowerPoint Dowels



In the real world These two Power-Point Dowels will be placed beside each other as low as possible on the end of the baseboard, not set up vertically as shown here.

If you add flexible wiring links at **A** where the lift bridge hinges are, you can of course do this with only two of our PowerPoint Dowels. You make the choice!

LEGACY MODELS POWERPOINT DOWELS

Basic installation instructions

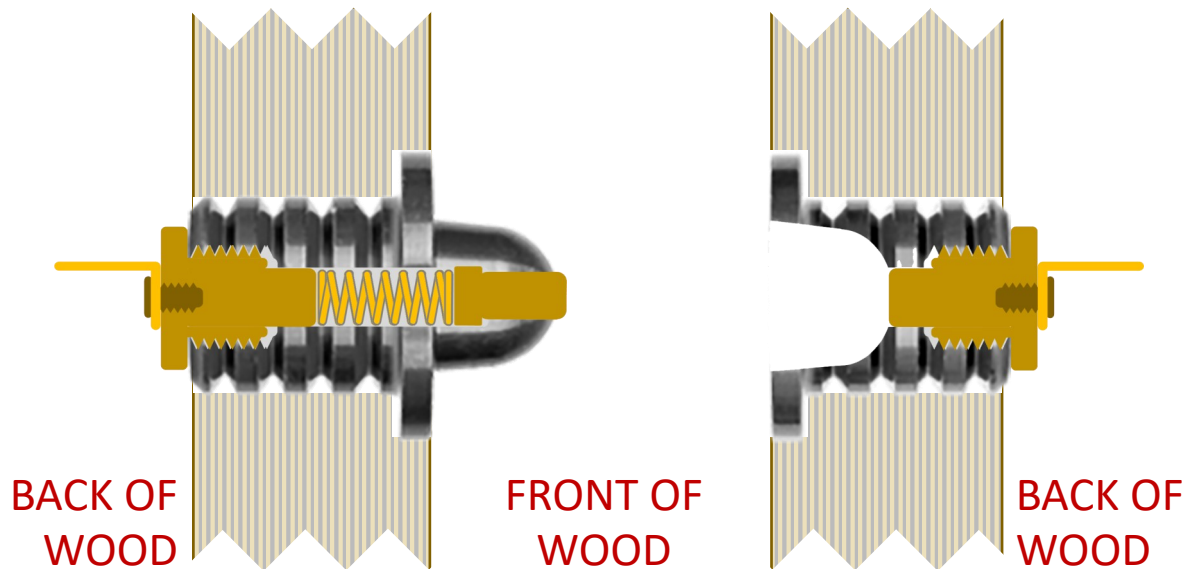
Clean up the holes so there are no dags or burrs.. then just

INSERT YOUR POWER POINTS

If you have used the right drills, they will slip into place with a firm push.

(We like to use just a dab of PVA glue to give them a good grip)

NOW all you need to do is add the Track bus wires!



LEGACY MODELS POWERPOINT DOWELS

Basic installation instructions

